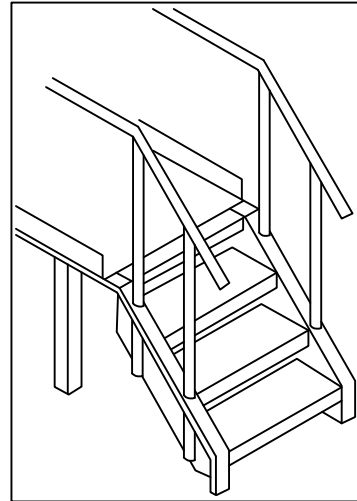


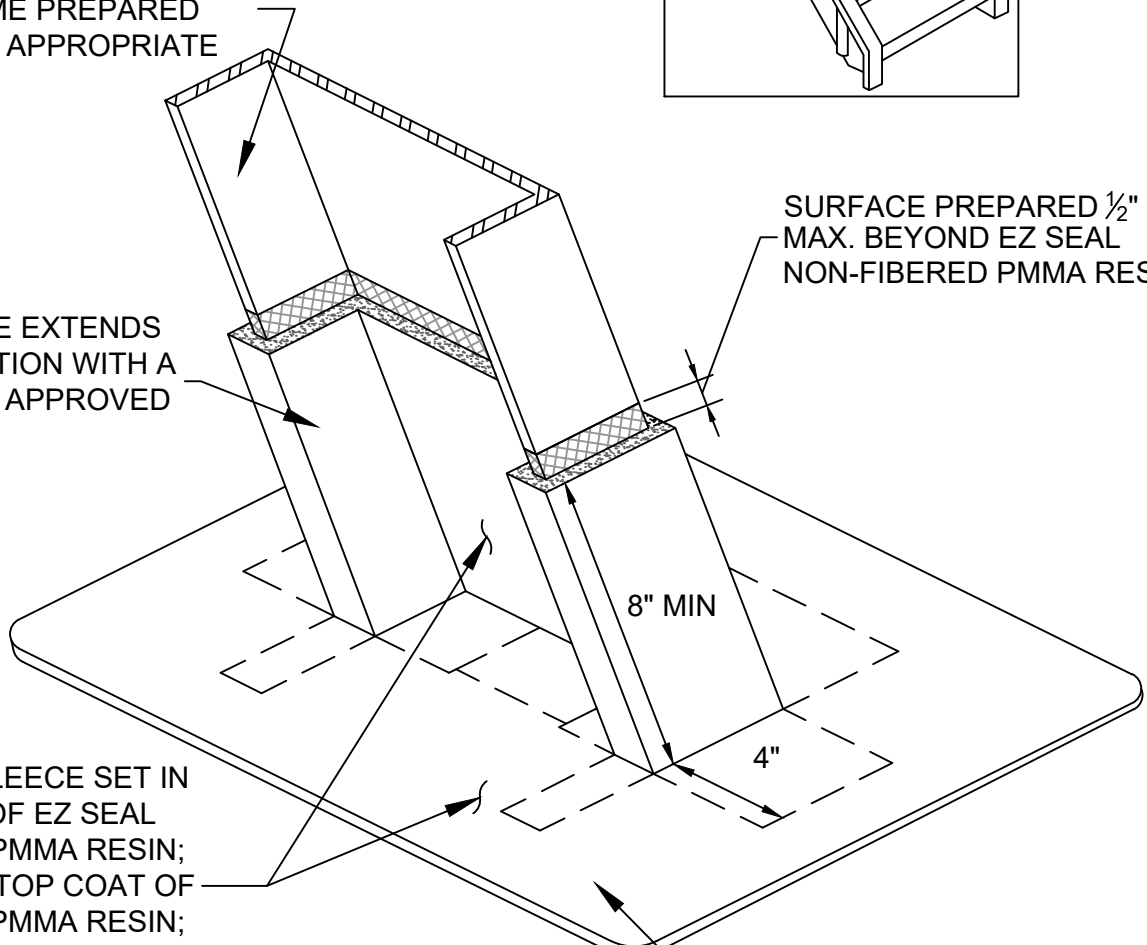
ANGLED PENETRATION FLASHING



CLEAN AND ABRABE, REMOVING ALL FOREIGN MATTER; WIPE W/ ACETONE; PRIME PREPARED SURFACE WITH APPROPRIATE PRIMER

EZ SEAL FLEECE EXTENDS 8" UP PENETRATION WITH A 2" LAP; 4" ONTO APPROVED SUBSTRATE

SURFACE PREPARED 1/2" MAX. BEYOND EZ SEAL NON-FIBERED PMMA RESIN



ALL EZ SEAL FLEECE SET IN A BASE COAT OF EZ SEAL NON-FIBERED PMMA RESIN; FINISH WITH A TOP COAT OF NON-FIBERED PMMA RESIN; EXTEND RESIN 1/4" - 1/2" PAST FLEECE

EZ SEAL FLEECE TARGET SHEET EXTENDS 6" FROM PENETRATION

EZ SEAL 7



Rev. 3/18

PROJECT NAME:

ADDRESS:

OWNER:

DATE:

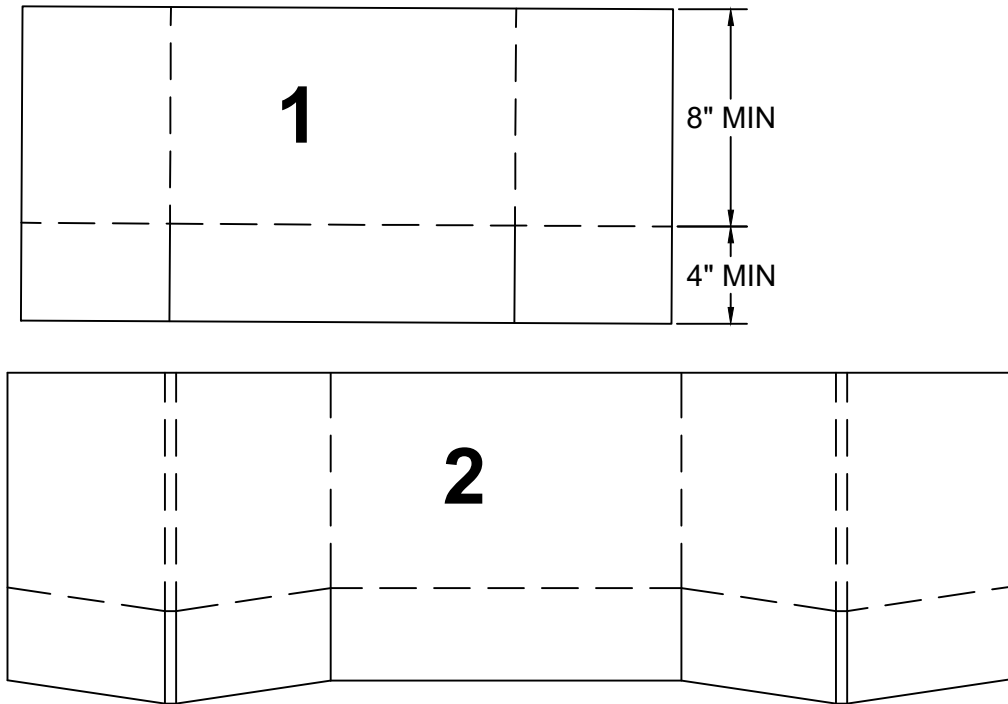
SCALE: NOT TO SCALE

PROJECT NO:

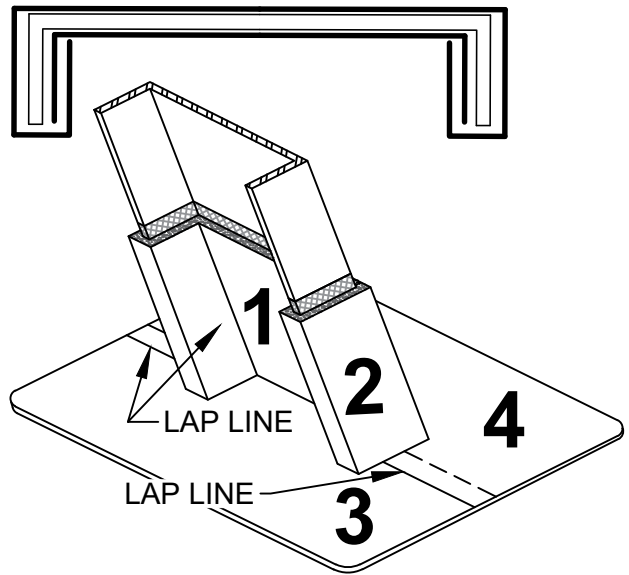
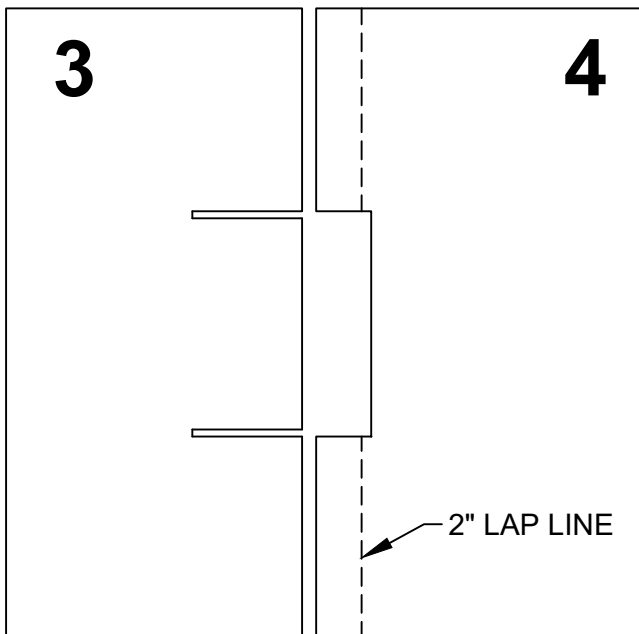
DRAWING NO. :

SUBMITTAL NO. :

ANGLED PENETRATION FLASHING



EZ SEAL FLEECE CUT TO MATCH SUBSTRATE/PENETRATION ANGLE



ALL FLEECE-TO-FLEECE LAPS REQUIRE ADDITIONAL EZ SEAL NON-FIBERED PMMA RESIN BASE COAT BETWEEN FLEECE LAYERS

EZ SEAL 7A



Rev. 3/18

PROJECT NAME:

ADDRESS:

OWNER:

DATE:

SCALE: NOT TO SCALE

PROJECT NO:

DRAWING NO. :

SUBMITTAL NO. :