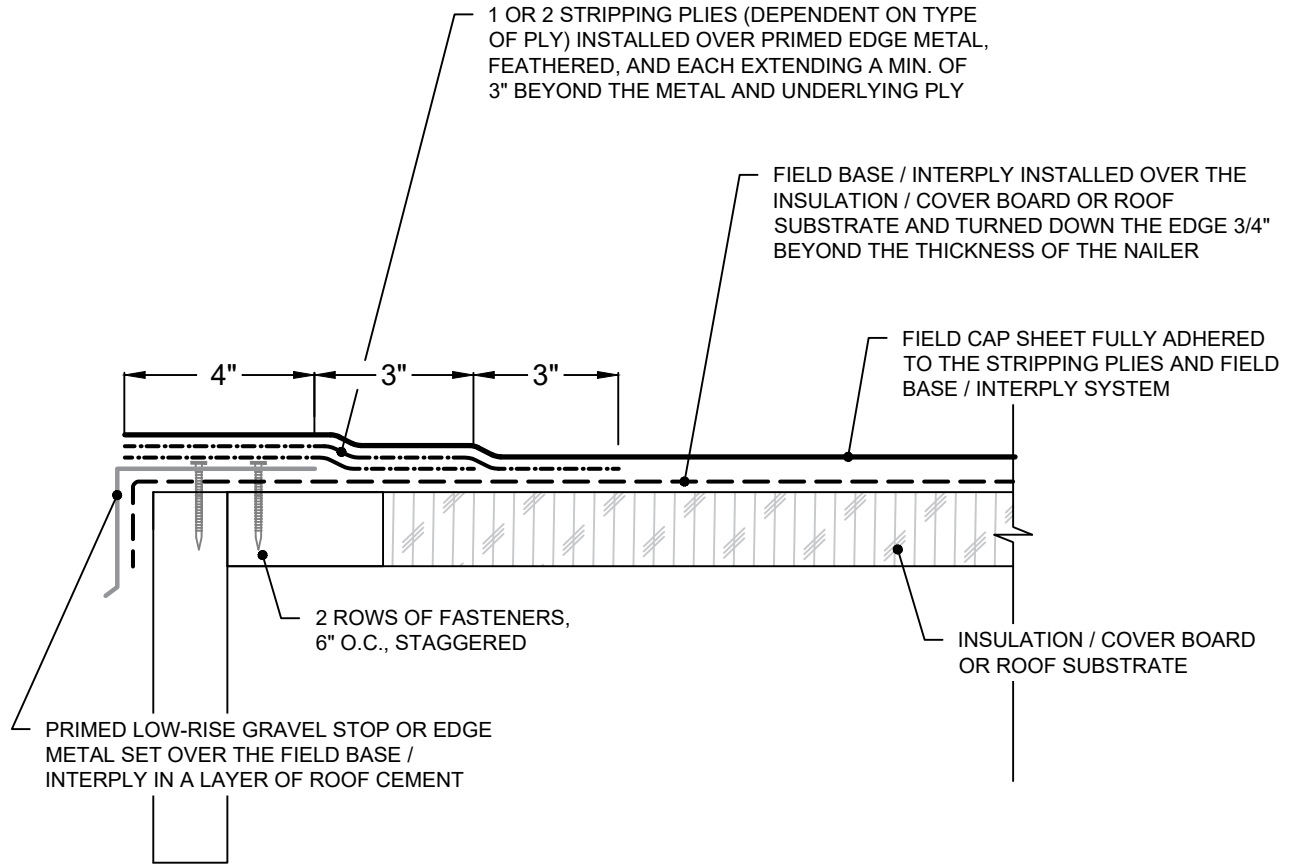


EDGE METAL - SECTION VIEW



- NOTES:**
1. WHEN INSTALLING WITH INSULATION AND/OR COVER BOARD, WOOD NAILER MUST BE INSTALLED AT ROOF EDGE, MATCHING THE HEIGHT OF INSULATION / COVER BOARD AND EXTENDING PAST FLANGE OF METAL.
 2. LAP EDGE METAL A MINIMUM OF 4"; INSTALL SEALANT IN THE LAP AND FASTEN.

LOW SLOPE 17 - SEC



Rev. 2/21

PROJECT NAME:

ADDRESS:

OWNER:

DATE:

SCALE: NOT TO SCALE

PROJECT NO:

DRAWING NO. :

SUBMITTAL NO. :