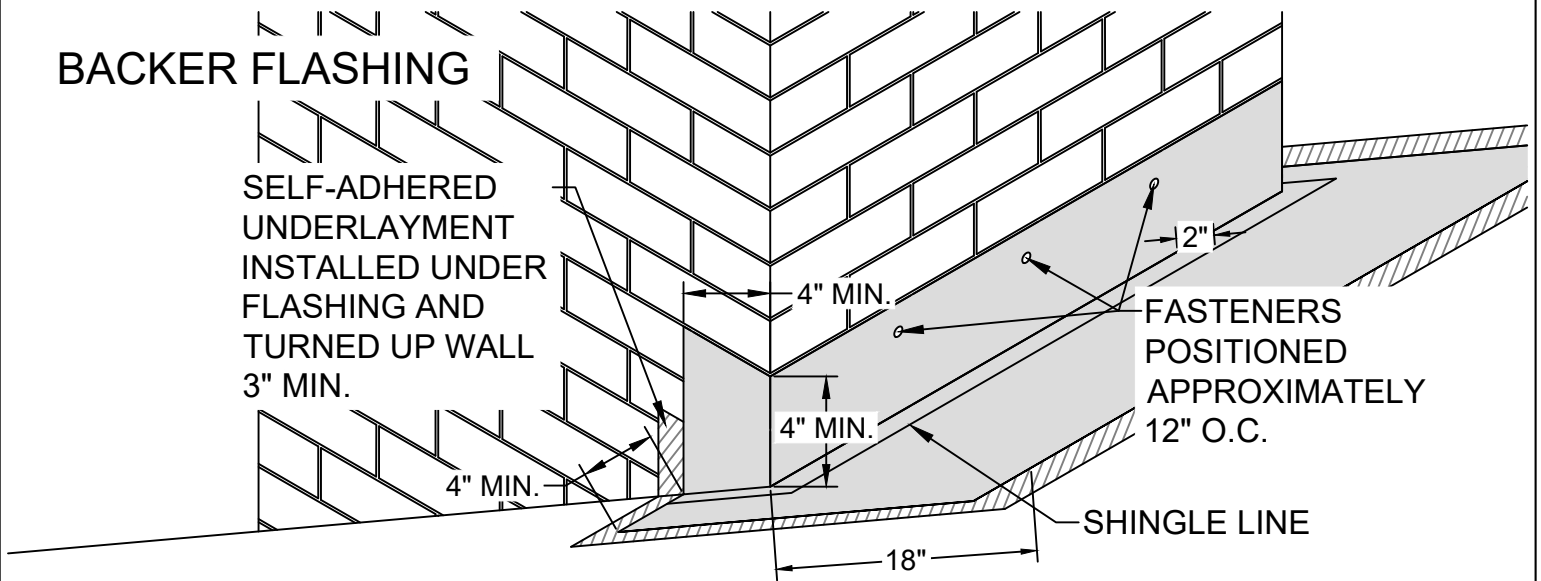
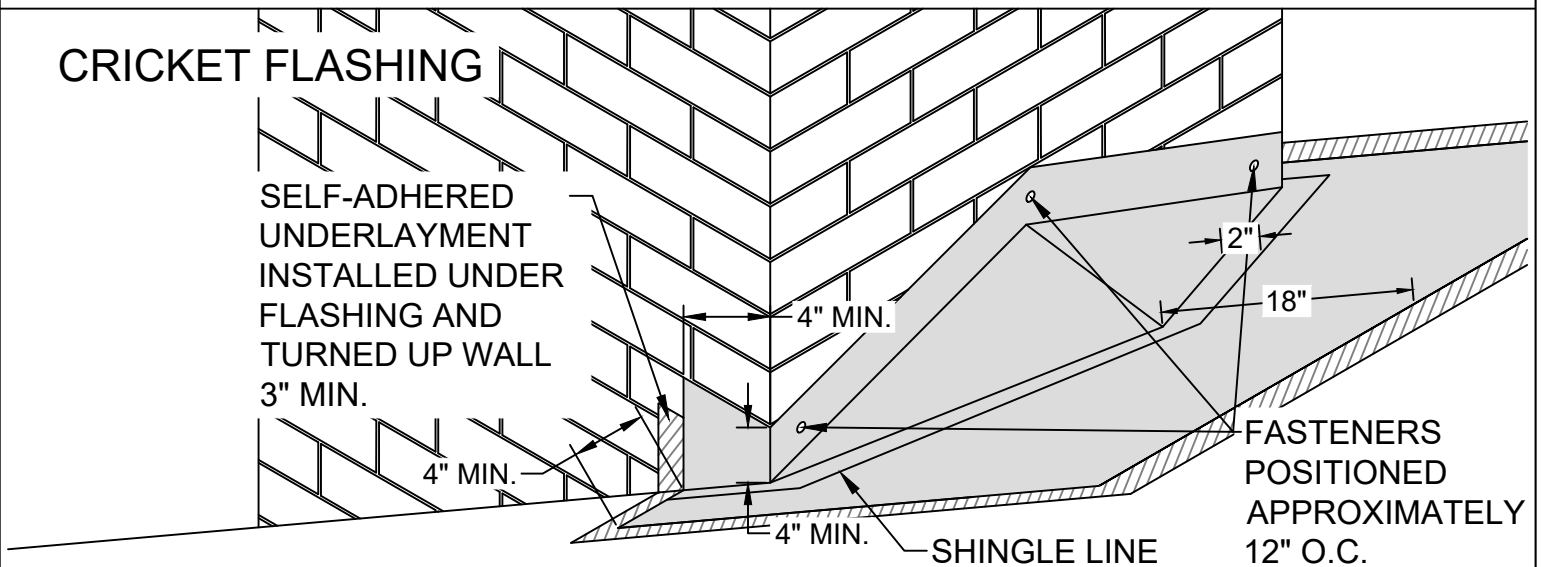


CHIMNEY BACKER AND CRICKET FLASHINGS

BACKER FLASHING



CRICKET FLASHING



NOTES:

- FOR WIDTHS MORE THAN 30", CRICKET FLASHING IS REQUIRED.
- ALL FLASHING METAL TO BE A MINIMUM 26 GAUGE.
- A $\frac{1}{4}$ " - $\frac{3}{4}$ " GAP BETWEEN THE SHINGLE AND VERTICAL BEND OF ALL FLASHINGS IS REQUIRED.
- SHINGLES HELD BACK 2" FROM BACKER OR CRICKET, BEAD OF MASTIC APPLIED TO UNDERSIDE OF SHINGLES 1"- 2" UP FROM SHINGLE LINE.
- STRIP-OFF FLANGES (RECOMMENDED) WITH MINIMUM 6" WIDE ARCTIC SEAL.
- ROOF COVERING, STEP AND COUNTER FLASHING OMITTED FOR CLARITY.

STEEP SLOPE 20

	PROJECT NAME:	DATE:
	ADDRESS:	SCALE: NOT TO SCALE
	OWNER:	PROJECT NO.:
		DRAWING NO. :
		SUBMITTAL NO. :