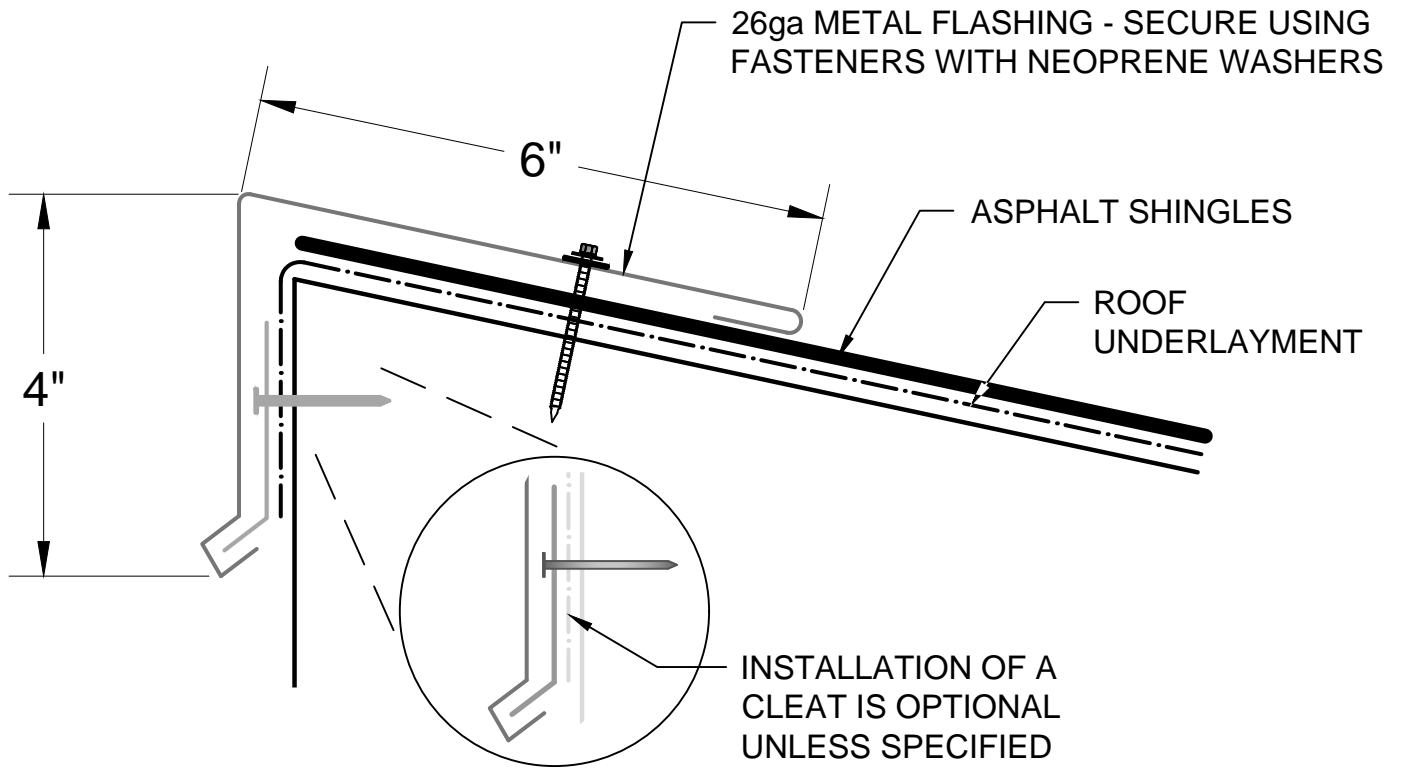


SHED ROOF FLASHING AT THE PEAK



NOTES:

- INSTALL HORIZONTAL FLANGE OF METAL FLASHING ON TOP OF SHINGLES; SECURE IN PLACE BUT DO NOT OVERDRIVE THE FASTENERS AND CREATE AN INDENTATION IN THE METAL.
- LAPS IN THE FLASHING, 2" MINIMUM; APPLY SEALANT BETWEEN THE OVERLAPPING ENDS AND FASTEN TOGETHER.

STEEP SLOPE 30



Rev. 11/19

PROJECT NAME:

ADDRESS:

OWNER:

DATE:

SCALE: NOT TO SCALE

PROJECT NO:

DRAWING NO. :

SUBMITTAL NO. :