

## **TECHNICAL BULLETIN**

### **INSTALLATION OF SELF-ADHERING MEMBRANES IN HOT WEATHER**

[July 2019]

Elevated temperatures can affect the ability to remove the protective release film from a *self-adhering* (SA) membrane's underside adhesive. The higher the radiant temperature of the roll, the more aggressive the adhesive becomes, and this can make the release film more difficult to remove. Recognizing this and taking precautions, SA's can be installed despite the conditions.

#### **Handling and Storage**

SA membranes require dry, well-ventilated storage and protection from the weather. Keep on pallets and store on end to prevent rolls from flattening. *Do not leave in direct sunlight.* It does not take long for the roll to heat up when it is left in the sun.

At the jobsite, keep rolls of SA *in the shade or cover with tarps or synthetic underlayment.* Do not remove from the packaging until ready to install. These measures can help keep the rolls from heating up.

#### **Installation**

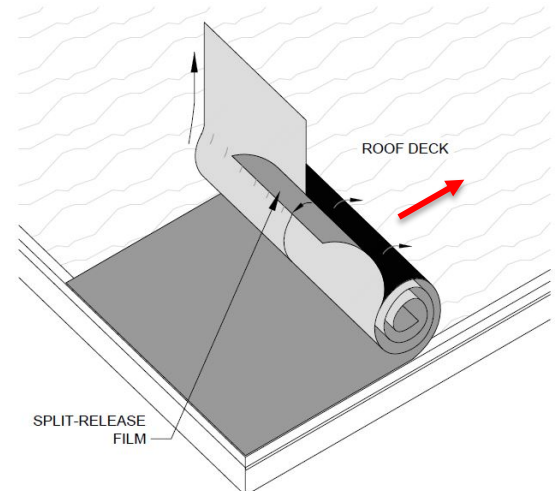
If you are having difficulty removing the release film, there are alternative methods:

**Fly In.** Unroll the SA, cut into convenient lengths, then flip it over so the release film is facing up. Remove the film, and *fly-in* the sheet. Accuracy of placing the sheet is key because once down, you will not be able to re-position it.

**Removal of the Release Film While Unrolling the SA.** Begin at a lower corner of roof and roll out approx. three (3) feet of material. From the *front* of the roll, score the release film all the way across with a straight blade knife, taking care not to cut the membrane itself.

Grasp the end of the release film *on the side of the roll closest to you*, both sides, and pull it completely off the *starting end* (or tail) of the roll, exposing the adhesive. Lay the starting end down on the deck and adhere with hand pressure or a foot.

Returning to the front of the roll, grasp the remaining release film, both sides, stand up, and begin walking backwards while pulling up on the release film (see figure at right). Do this in a continuous motion; once started, do not stop. Should you stop, a quick tug or jerk on the release film may help restart removal of the release film. If this doesn't work, cover the partially installed roll with a tarp or synthetic underlayment until it cools, then remove the covering and resume installation.



Contact Malarkey Technical Services with questions at (800) 545-1191 or (503) 283-1191, 7:00 am to 5:00 pm, Pacific Time, or email us at [technicalinquiries@malarkeyroofing.com](mailto:technicalinquiries@malarkeyroofing.com).