



Right Start™ UDL Installation Instructions



Directions for Applying Malarkey Right Start™ UDL

GENERAL INSTRUCTIONS

Install Malarkey's *Right Start™ UDL* (Right Start™) underlayment according to adopted building code and local amendments. To qualify for warranty protection and obtain stated coverage, the installation instructions detailed here must be followed. Contact Malarkey Technical Services or check our website at WWW.MALARKEYROOFING.COM for the most current version.

We assume no responsibility for damage to the underlayment or water damage to the roof deck prior to installation of the finished roofing system, or for leaks due to improper application or failure to properly prepare the surface.

IMPORTANT

- ALWAYS wear fall protection when working on a roof.
- Underlayments can be slippery, particularly when wet or covered with frost. Be careful when walking on them.

PRODUCT DESCRIPTION

Product Use: Right Start™ is an SBS polymer modified fiberglass underlayment suitable for use as a water-resistant underlayment or dry-in sheet for steep slope roofing applications to include asphalt shingles, roof tile¹, and wood shakes and shingles.

Composition and Materials: Right Start™ is manufactured on a non-woven fiberglass mat, impregnated and coated on both sides with SBS polymer modified asphalt, and surfaced with a mineral release material.

Precautions: Store the rolls on end to prevent them from flattening.

Right Start™ is constructed with a fiberglass mat, and such products have *dimensional memory*, which means in cooler temperatures and during cold night/warm day cycles, the underlayment may return to its rolled shape if not fully relaxed before installation. Because underlayment applied in this condition can start to buckle and develop wrinkles as it warms, Malarkey recommends Right Start™ be stored in a climate-controlled environment and/or allowed to warm up when installing in colder weather.

Unroll to the desired length, and allow it to relax for 15 to 20 minutes prior to installation. It can be cut into shorter lengths and laid flat to absorb heat from the sun.

The presence of wrinkles or buckles will require the underlayment be cut at the buckle to get it to lay flat, followed by a patch of additional underlayment (or underlayments, depending on the number of plies) and possibly application of asphalt roof cement. In some cases, the underlayment may have to be removed, repositioned or replaced.

Failure to correct defects will eventually telegraph through to the finished roof covering and is not a manufacturing defect. Malarkey is not responsible for objectionable appearance should this occur.

¹ Installation of underlayment under concrete or clay roof tile has specific installation requirements; see tile roofing manufacturer, adopted building code, and/or the Tile Roofing Institute's Installation Guides.

Roof decks should be sound, smooth (free of protrusions), and meet adopted building code requirements. Sweep the deck clean of dirt and debris.

Minimum approved slope is 2" (51 mm) per 12" (305 mm).

To prevent harmful condensation or heat buildup beneath the roof sheathing, air must circulate freely under the roof deck. Install roof vents at ridges and eaves. Ventilation provisions must meet or exceed current FHA or HUD requirements and adopted building codes.

Right Start™ is not intended as a permanently-exposed roofing surface but can be left uncovered for up to 90 days if necessary before the primary roof covering is installed.

Right Start™ is not made for use under metal roof systems.

APPLICATION

Drip Edge Flashing: In accordance with 2018 International Building Code, Section 1507.2.8.3, and 2018 International Residential (Building) Code, Section R905.2.8.5, *drip edge flashing* (drip edge, eave or rake metal) is required on the eave and rake edges of shingle roofs.

Install drip edge first along the eaves, and later on the rakes once the field underlayment has been applied.

Underlayment Fastening Instructions: Good roofing practice dictates the primary roof covering be installed as soon as possible to minimize the chance of blow-off and/or leaks. The extent to which underlayment must be fastened is determined by several factors:

- Your climate region and related wind speeds
- Performance expected of the underlayment should a blow-off of the primary roof covering occur
- Degree of roof slope
- How long the underlayment will remain exposed before the primary roof covering is applied
- Safety

Under asphalt shingles in most situations, it is advisable to install just enough fasteners to hold the underlayment firmly in place and work safely (or per adopted building code) until shingles can be applied.

Where more extreme weather conditions exist, adopted building codes may require specific attachment.

Other Instructions Common to the Installations that Follow:

- End laps in the same course should be 6" (152 mm), and staggered 6' (1.8 m) apart in subsequent courses.
- Extend underlayments 6" (152 mm) over hips, ridges and valleys. At roof-to-wall transitions, lap underlayments a minimum of 3" (76 mm) up the vertical plane and secure.
- Once an expanse of roof is covered by underlayment up to the ridge, apply drip edge flashing to the rakes, over the ends of underlayment.

INSTALLATION IN NON-ICE DAM REGIONS

Roof Slopes 4:12 and Greater

A single layer of Right Start™ is all that's required for slopes 4:12 (4" [102 mm] per 12" [305 mm]) and greater. Always lay underlayment courses parallel to the eaves.

Install the initial course flush to the rake and along the eave; overhang the eave drip edge ¼" - ¾" (6-19 mm).

Continue working up the roof, subsequent courses overlapping the preceding a minimum of 2" (51 mm). (See Figure 1)

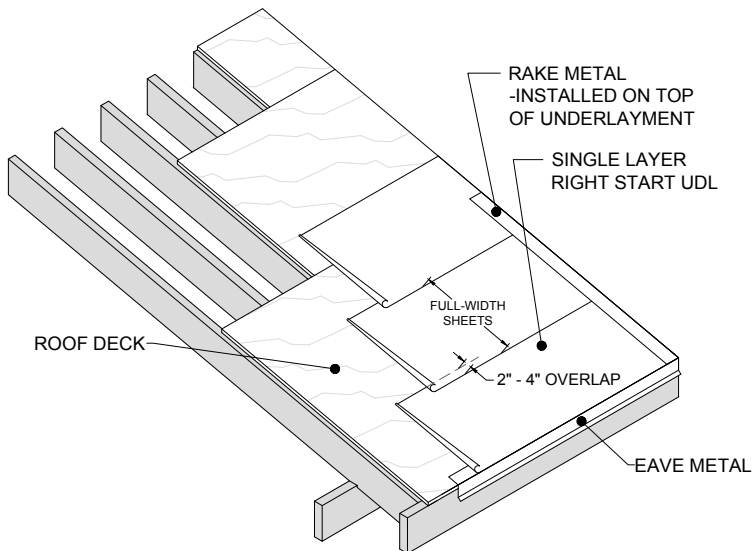


Figure 1 - Application of Right Start™ UDL on Roof Slopes 4:12 and Greater (Non-Ice Dam Regions)

Roof Slopes 2:12 Up to 4:12

A double layer of Right Start™ is required for slopes 2:12 (2" [51 mm] per 12" [305 mm]) up to 4:12 (4" [102 mm] per 12" [305 mm]).

Start at a lower corner of roof and apply a half-width starter strip of Right Start™ along the eave. Position flush to the rake and overhang the drip edge ¼" - ¾" (6-19 mm).

Follow by applying a full-width sheet on top, completely overlapping the starter strip. Courses to follow are each half-lapped over preceding courses, on up the roof. (See Figure 2)

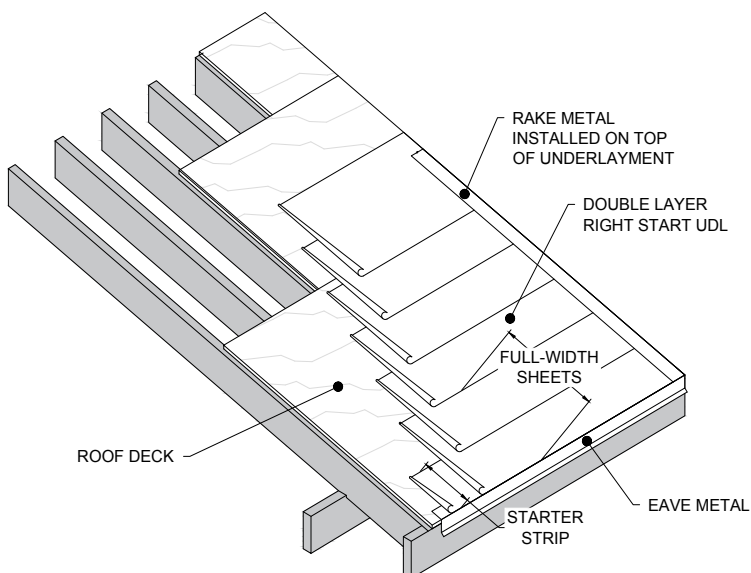


Figure 2 - Application of Right Start™ UDL on Roof Slopes 2:12 Up to 4:12 (Non-Ice Dam Regions)

Optional installation for low slope roofs: For superior protection in coastal regions, areas of wind-driven rain, or homes with double-slope construction, the roof deck can be covered with a double layer of Malarkey Arctic Seal® self-adhering underlayment or equivalent conforming to ASTM D1970.

When choosing this option, make sure proper ventilation and moisture control issues are addressed.

INSTALLATION IN ICE DAM REGIONS

In cold weather climates that produce ice dams, Right Start™ can be used with self-adhering underlayments, Malarkey's Arctic Seal® or SecureStart™ HT products (or equivalent conforming to ASTM D1970), to provide maximum ice and water protection. Their use is subject to local building codes so installation could be required.

Installation instructions for both product lines can be found at WWW.MALARKEYROOFING.COM.

Roof Slopes 4:12 and Greater

Instead of Right Start™ along the eave, install a full-width sheet of self-adhering underlayment. It will not have an overhang but be flush with the drip edge.

Continue installation up and out onto the roof as necessary to a point not less than 24" (610 mm) past the interior warm inside wall of the house or above the expected level of ice dams or according to building code requirements.

If additional courses of self-adhering underlayment are necessary to reach that point, course lap guide lines (lay lines) on the sheets show how far to lap the material. Firmly hand-roll these overlaps to ensure a complete, watertight bond.

Once past 24" (610 mm), follow with full-width courses of Right Start™, the first lapped 6" (152 mm) over the termination of self-adhering underlayment, and the rest with minimum 2" (51 mm) side laps, on up the roof. (See Figure 3)

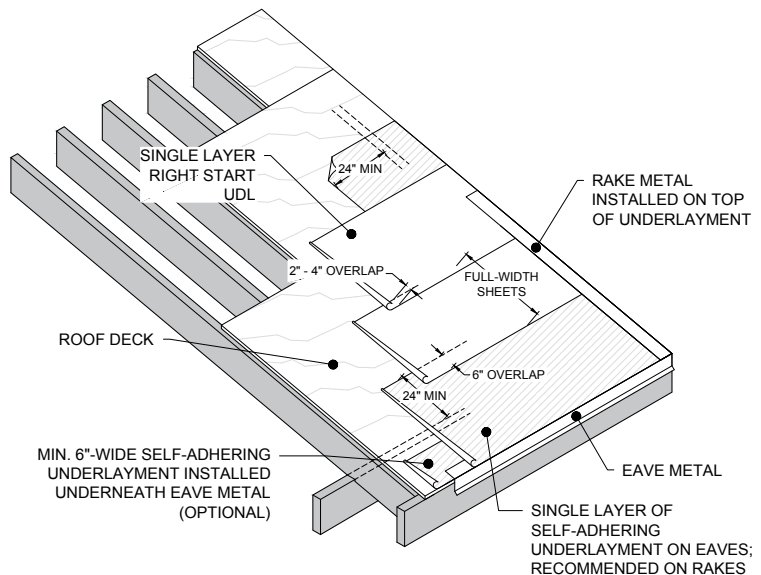


Figure 3 - Application of Self-Adhering Underlayment and Right Start™ UDL on Roof Slopes 4:12 and Greater (Ice Dam Regions)

Roof Slopes 2:12 Up to 4:12

At the eave, install a full-width sheet of self-adhering underlayment. Continue installation up and out onto the roof as necessary to a point not less than 24" (610 mm) past the interior warm inside wall of the house or above the expected level of ice dams or according to building code requirements.

Once that point is reached, switch to *double layers* of Right Start™, the first course a half-width *starter strip* lapped 6" (152 mm) over the termination of self-adhering underlayment.

Succeeding courses are full-width, the first course completely overlapping the starter, and followed by courses half-lapped over preceding courses, on up the roof. (See **Figure 4**)

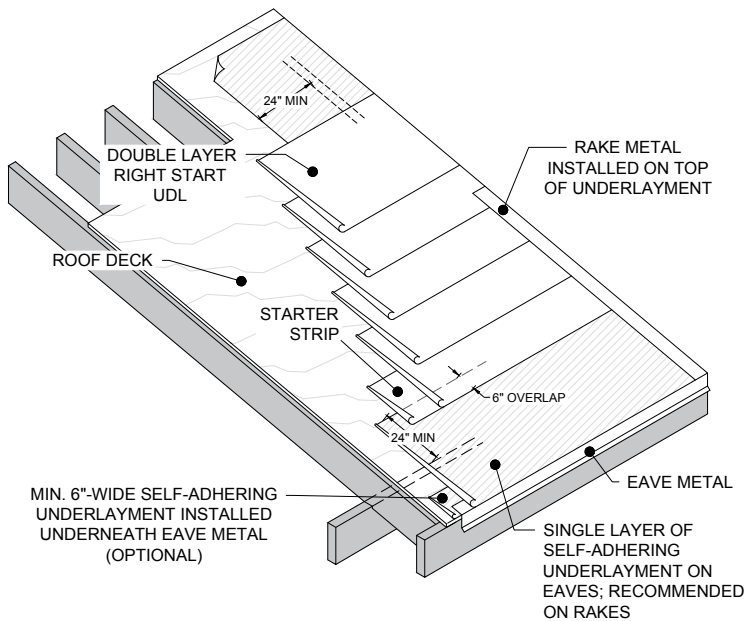


Figure 4 - Application of Self-Adhering Underlayment and Right Start™ UDL on Roof Slopes 2:12 Up to 4:12 (Ice Dam Regions)

Roof Valleys: Following the installation of a self-adhering membrane *valley liner* like Arctic Seal® or SecureStart™ HT, Right Start™ can be laced across roof valleys and up the adjacent roof a minimum of 6" (152 mm) or lapped 6" (152 mm) over each edge of the valley liner.

Do not fasten closer than 6" (152 mm) from the valley centerline.

Right Start™ can help waterproof a valley but should not be the sole underlayment. Valley liners of self-adhering membranes or strips of roll roofing should be applied to the roof deck first, whether or not an open metal valley is also constructed.

FINAL NOTE

These instructions are meant to act as a general guide. If you have questions about this installation or any Malarkey roofing product, please contact our Technical Services Department weekdays at (800) 545-1191 or (503) 283-1191, 7:00 am to 5:00 pm, Pacific Time. You can also email us at technicalinquiries@malarkeyroofing.com. Thank you.



P.O. Box 17217
Portland, OR 97217-0217

Rev. 4/19