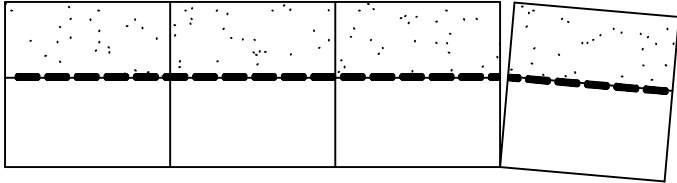


RIDGEFLEX HIP AND RIDGE SHINGLES WINDSOR SHINGLE ROOF

HIP & RIDGE INSTALLATION - APPLY MALARKEY RIDGEFLEX SHINGLES BEGINNING AT THE BOTTOM OF THE HIP OR AT THE RIDGE OPPOSITE THE DIRECTION OF PREVAILING WINDS. COMPLETE HIPs BEFORE RIDGES. USE TWO NAILS PER SHINGLE WITH ONE NAIL ON EACH SIDE, 1" FROM THE EDGE SO SUCCEEDING SHINGLES CONCEAL NAILHEADS.

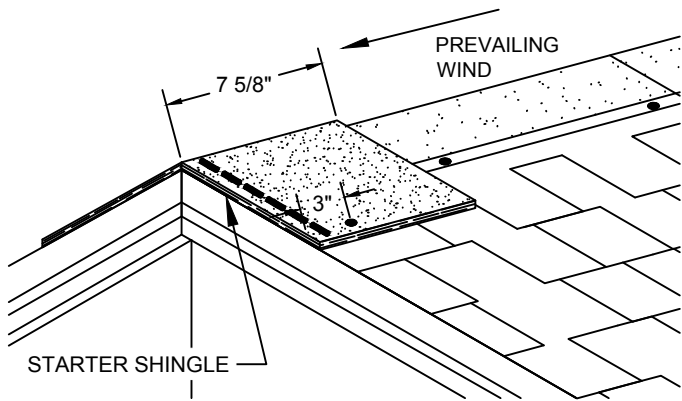
OPTION: TO ENSURE IMMEDIATE SEALING, MALARKEY RECOMMENDS EACH RIDGE SHINGLE BE SEALED DOWN WITH A QUARTER-SIZED SPOT OF SHINGLE TAB ADHESIVE ON EACH SIDE.

NOTE: EXCESSIVE USE OF MASTIC/ADHESIVE MAY CAUSE BLISTERING.



MALARKEY RIDGEFLEX SHINGLES ARE PERFORATED AND SEPARATE INTO FOUR PIECES.
-12" RIDGEFLEX SHINGLES ARE THREE PER SHEET.

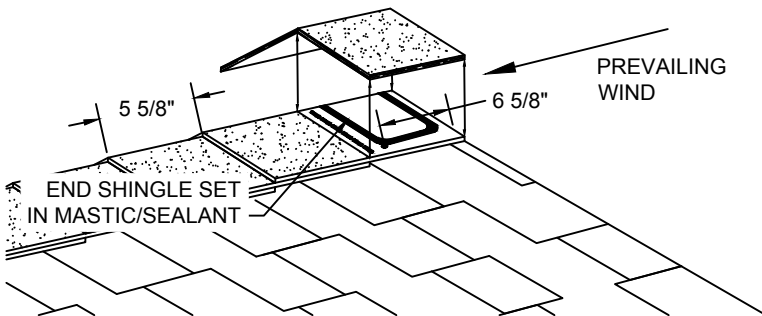
PREPARE FOR APPLICATION BY REMOVING SHINGLES FROM PACKAGING AND SEPARATING RIDGEFLEX STRIPS AT PERFORATIONS.



STARTER: CUT THE 5 5/8" EXPOSED PORTION OFF A RIDGEFLEX STRIP AND USE THE REMAINING SEAL-DOWN PORTION (7 5/8") AS A STARTER. POSITION WITH SEAL-DOWN AT ROOF'S EDGE, AND FASTEN 3" BACK FROM THE EDGE AND 1" UP FROM THE SIDE.

SHINGLE STRIPS: LAY FIRST FULL RIDGEFLEX STRIP EVEN WITH RIDGE STARTER STRIP. USE TWO NAILS PER STRIP, WITH ONE NAIL ON EACH SIDE AND 1" UP FROM THE EDGE AND 6 5/8" FROM END TOWARD PREVAILING WIND. EACH SUCCEEDING STRIP SHOULD CONCEAL NAILHEADS.

CONTINUE INSTALLING RIDGE STRIPS WITH AN EXPOSURE OF 5 5/8" AND FASTENING WITH ONE NAIL ON EACH SIDE, 1" UP FROM EACH EDGE. NAIL PLACEMENT WILL ALLOW FOR CONCEALMENT OF NAILHEADS WITH NEXT COURSE.



TRIM THE SEAL-DOWN END OF A RIDGEFLEX SHINGLE TO FIT AT THE END OF THE RIDGE, MAINTAINING THE EXPOSURE OF 5 5/8". SET STRIP IN MASTIC/SEALANT.

STEEP SLOPE 21C



Rev. 1/17

PROJECT NAME:

ADDRESS:

OWNER:

DATE:

SCALE: NOT TO SCALE

PROJECT NO:

DRAWING NO. :

SUBMITTAL NO. :