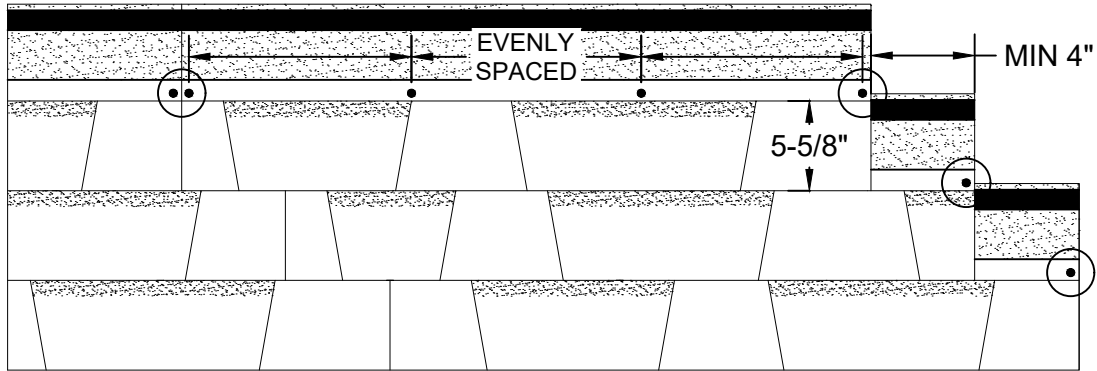
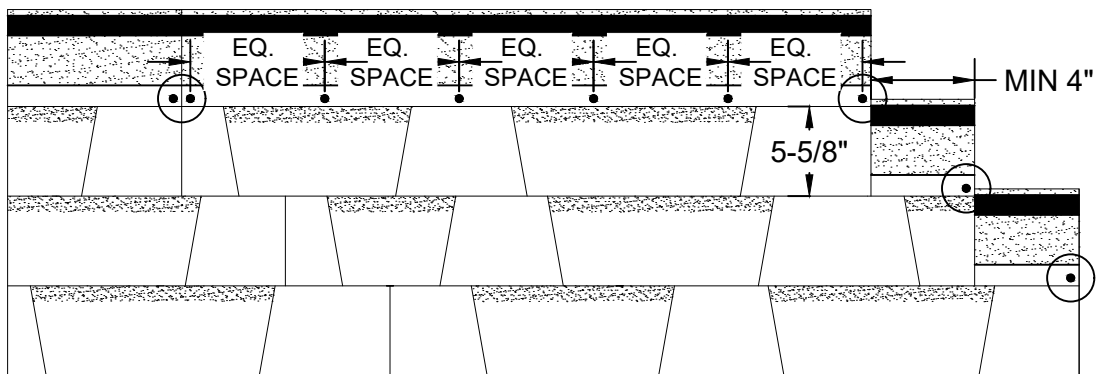


LAMINATE NAILING PATTERNS

4 NAIL

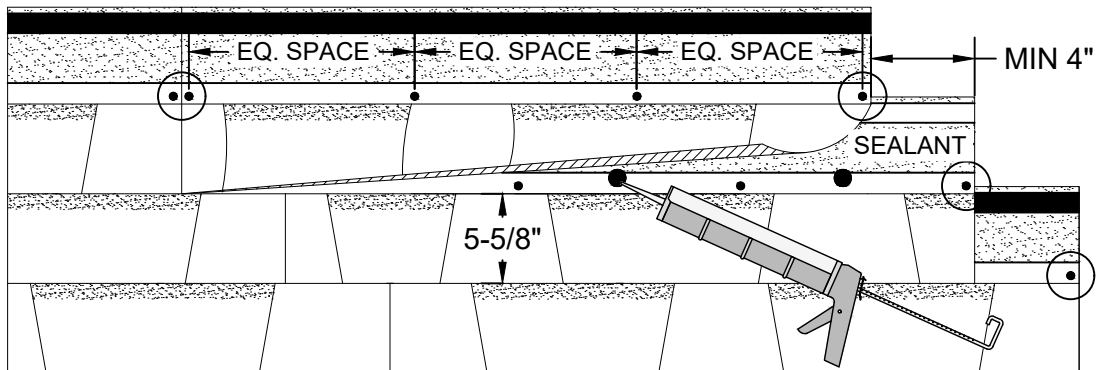


6 NAIL



-IN BOTH PATTERNS, FASTENERS SHOULD BE PLACED IN THE NAILING AREA AND END FASTENERS SET APPROX. 1" FROM EACH EDGE OF THE SHINGLE. THE REMAINING FASTENERS SHOULD BE EVENLY SPACED ON THE SAME LINE AS THE END FASTENERS.

HAND-SEALING LAMINATE SHINGLES



STEEP SLOPE 6



Rev. 12/18

PROJECT NAME:

ADDRESS:

OWNER:

DATE:

SCALE: NOT TO SCALE

PROJECT NO.:

DRAWING NO. :

SUBMITTAL NO. :