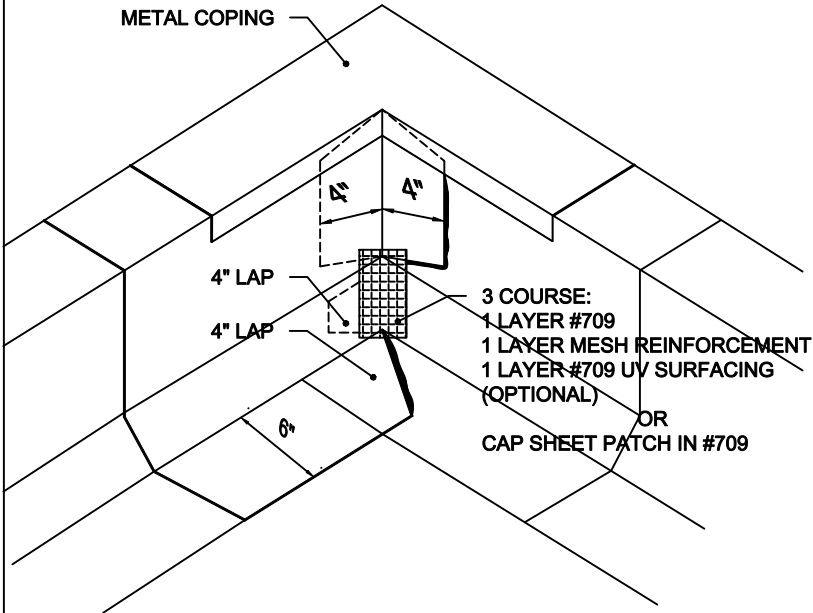
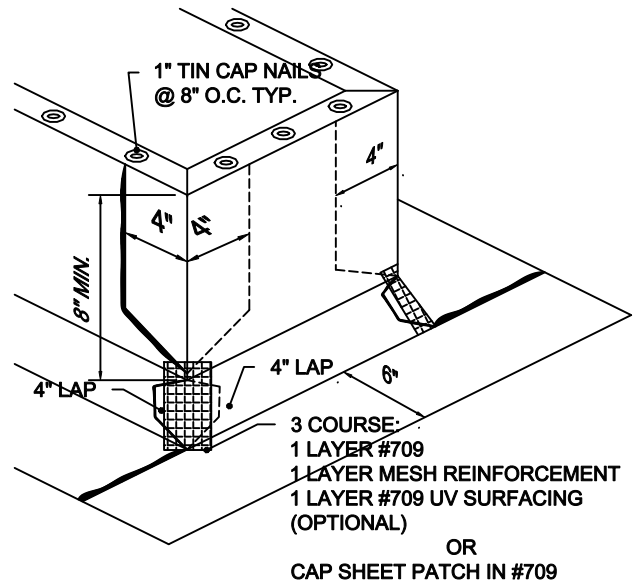


INSIDE & OUTSIDE CORNERS



BASE FLASHING INSIDE CORNER



BASE FLASHING OUTSIDE CORNER

LOW SLOPE M

	PROJECT NAME:	DATE:
		SCALE: NOT TO SCALE
	ADDRESS:	PROJECT NO:
	OWNER:	DRAWING NO. :
		SUBMITTAL NO. :