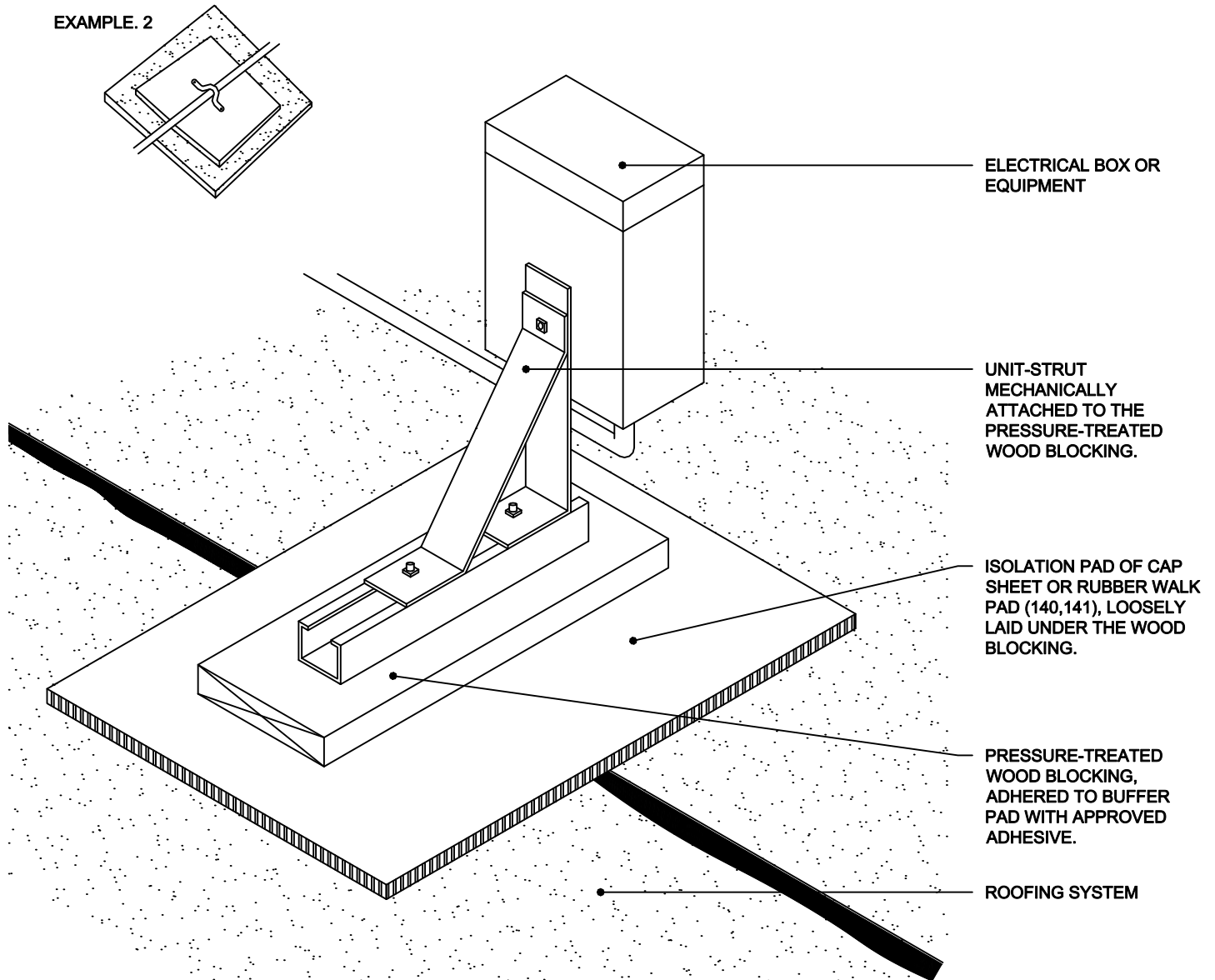


# NON-PENETRATING SUPPORT

EXAMPLE. 2



**NOTE:**  
HEAVIER EQUIPMENT MAY REQUIRE THE USE OF A DENSER BUFFER PAD SUCH AS THE MALARKEY 140 OR 141 RUBBER WALK PADS TO AID IN DISPLACING THE WEIGHT.

## LOW SLOPE O

PROJECT NAME:

DATE:

SCALE: NOT TO SCALE

PROJECT NO:

ADDRESS:

DRAWING NO. :

OWNER:

SUBMITTAL NO. :