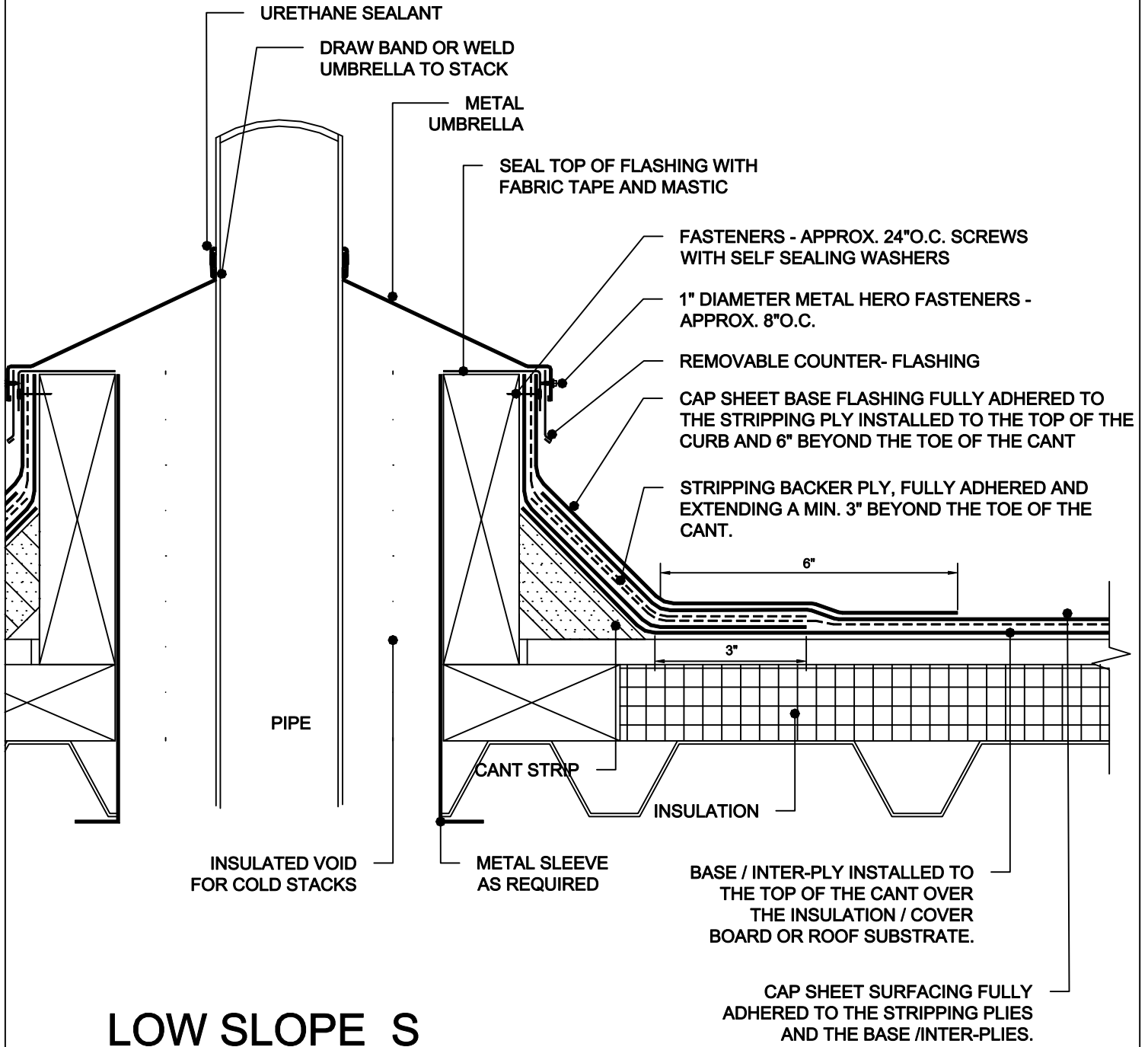


HOT PIPE FLASHING



PROJECT NAME:

DATE:

SCALE: NOT TO SCALE

PROJECT NO:

ADDRESS:

DRAWING NO. :

OWNER:

SUBMITTAL NO. :